



ATT INOX DRAIN[®]
— www.att.eu —
Stainless Steel Engineering

Product mini-catalogue

ATT Sp. z o. o.
ul. Albatrosów 16C, 30-716 Kraków
tel. +48 12 290 29 30
fax +48 12 290 29 31
e-mail: att@att.eu
www.att.eu

Mail



Product catalogue



ATT

TABLE OF CONTENTS

2	ABOUT THE COMPANY
6	FLOOR DRAINS
10	RODDING EYES
12	STANDARD CHANNELS
16	BATHROOM CHANNELS
18	MANHOLE COVERS
24	PROTECTIVE ELEMENTS
28	PLATFORMS & STRUCTURES
30	FOOD PROCCESSING
31	HYGIENE ELEMENTS & DISPENSERS

ABOUT THE COMPANY



ATT is a manufacturing and trading company offering stainless steel elements. We employ highly qualified personnel and operate a technologically advanced machine park. This allows us to comprehensively implement entrusted tasks – from technical consultancy in the design phase and through the production process to assembly.

ATT is a team of engineers with extensive knowledge and passion combined with imagination and long-term experience. This combination of elements is reflected in the projects we develop and implement. Our comprehensive technical know-how corresponding to the realities in the construction industry and industrial facilities, means we can optimally tailor solutions to meet the needs of individual customers.

The commercial division is made up of sales engineers who participate in the entire process.

They are present at each phase of implementation of an order: during preparation of projects, production, assembly and installation works, acting as technical advisers.

The scope of ATT's operations is not limited to Poland or European countries. Our goods and services are used by companies from the United States, the United Arab Emirates, South Korea and Australia, to name a few.

We prepare elements of equipment and installation systems for facilities of the food, gastronomic, chemical and pharmaceutical industries.

The majority of our products can be found on our website at www.att.eu, available in several language versions.

CERTIFICATES

ATT INOX DRAIN®, a company with Polish capital, was established nearly twenty years ago. Since the beginning of its activity, stainless steel drainage systems have been the key products of the company. In addition to the catalogue products, we also develop individual designs adapted to requirements resulting from the needs of a project. This is achieved thanks to our qualified personnel and technologically advanced machine park. Importantly, ATT drainage systems meet the highest requirements of the European Hygiene Standards PN-EN 1253 (point drainage) and PN-EN 1433 (linear drainage).

However, ATT offers more than just drainage systems. In response to the demands of the market and in order to fully implement its production potential, the company has launched production of equipment elements and stainless steel structures for industries where the highest phytosanitary requirements must be met. The hygienic safety of all products manufactured by ATT is assured by fulfilling the guidelines of the Polish Hygiene Institute (certificate no. HK/B/0266/01/2015). Moreover, to ensure that our products meet the strictest hygiene requirements, in the design phase we follow this guidelines included in the listed standards: PN-EN 1672-2+A1:2009 – hygiene requirements, and PN-EN ISO 14159:2008 – hygiene requirements related to the designing of machines.

ATT is also a member of the European Hygienic Engineering and Design Group, an organisation that constitutes a communication platform for global food corporations, manufacturers of



machines and devices, as well as members of research institutes and public health protection institutions. EHEDG members cooperate in order to promote and improve hygiene in food production plants. As a result, ATT's products are designed and manufactured in accordance with the most recent guidelines on hygiene requirements.



Our products are CE marked.

On 1 July 2014, the transition period for marking in the nationwide system came to an end. After this date, structural elements made of steel or aluminium must be CE marked to be eligible for marketing. This means that ATT meets the requirements of the following standards: PN-EN 1090-1:2012 part 1: Rules of compliance assessment for constructional components; and PN-EN 1090-2:2012 part 2: Technical requirements for steel structures.



Another step enabling monitoring of the production process in ATT is the implementation of standards that guaranteed supervision of the welding process, i.e. standards of PN-EN ISO 3834:2007 series. They include quality requirements related to welding of metal materials.

We have carried out implementation of PN – EN 1090 and PN EN ISO 3834 in cooperation with TÜV Rheinland.



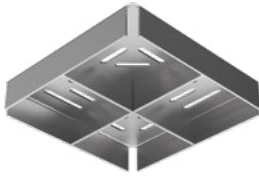
HYGIENE

PLATE GRATING

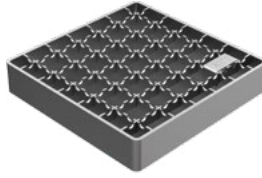


Covered load-bearing flat bars to prevent accumulation of contamination on sharp edges.

SHEET METAL GRATING



MESH GRATING



Blunted edges to minimise the risk of accumulation of solid waste, on which bacteria may grow.

WASTE BASKET

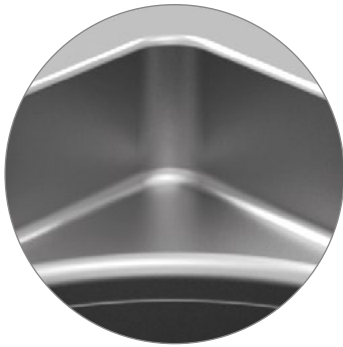


Pressed, with no connected elements, to facilitate cleaning and removal of solid contamination.

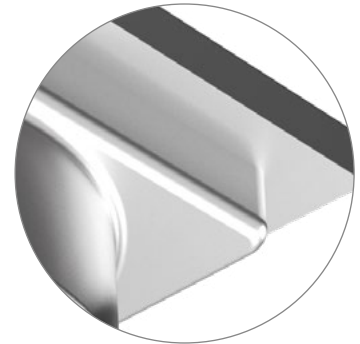
TRAP



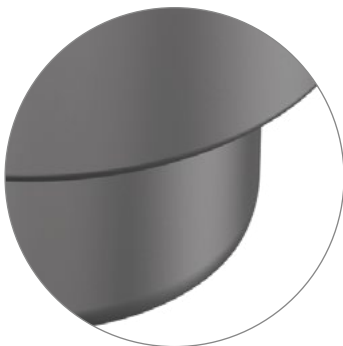
Inverted shape ensures maximum protection against unpleasant odours and bacterial penetration.



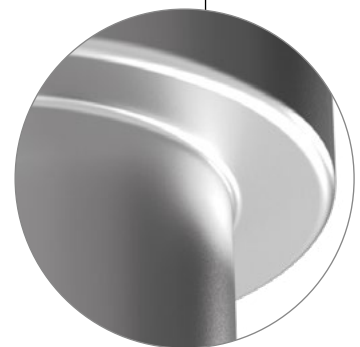
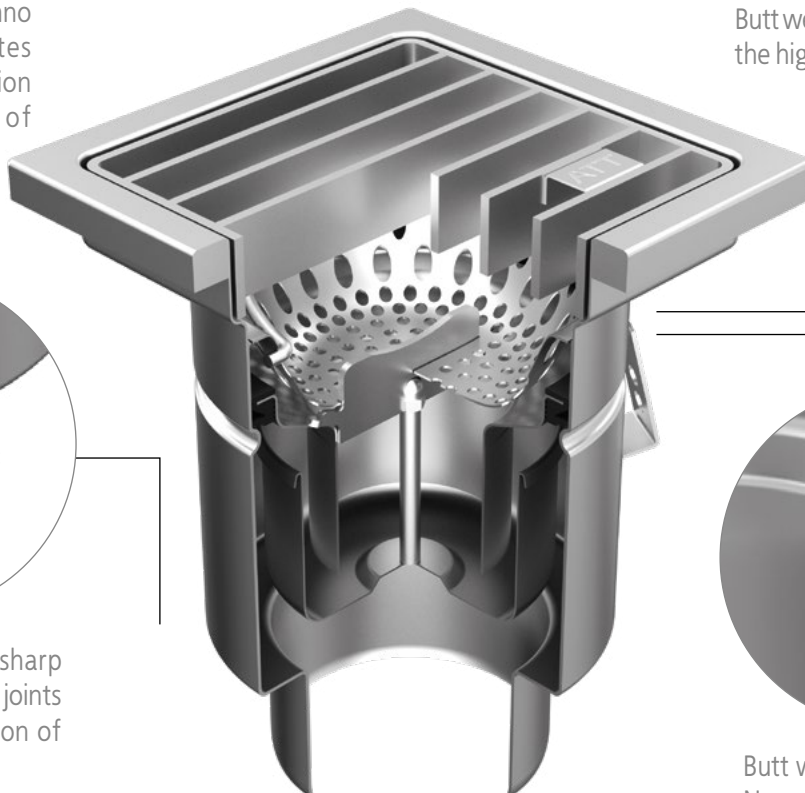
Pressed upper part with no sharp corners facilitates removal of contamination and prevents growth of bacteria.



Butt welding allows maintaining the highest hygienic standards.



Pressed body, with no sharp edges or welded corner joints prevents the accumulation of contamination.



Butt welding of all elements. No welding joints in corners.

OFFER



Drainage systems: point floor drains, rodding eyes, industrial linear drainage and bathroom drainage



Manhole covers and Access covers



Protection elements: bollards and barriers, kerbs, stainless steel tiles and expansion joints



Platforms and structures



Equipment for food and pharma industries: transport trolleys and hygiene equipment



Design and installation services

FLOOR DRAINS



GENERAL INFORMATION

By standard, all floor drains and rodding eyes are made of stainless steel: AISI 304, EN 1.4301 and AISI 316L, EN 1.4404. The type of drain depends on the load class, the amount of drained liquid (medium) and design parameters (e.g. ceiling thickness).

Floor drains are made of sheet metal of thickness adapted to a defined type of drain. All elements are welded using argon shield, and then are pickled, thus ensuring high quality of joints.

ADVANTAGES OF FLOOR DRAINS

- highest hygienic design and construction standards, following EHEDG guidelines,
- possibility to select a grate depending on application and load class,
- easy installation,
- due to suitable trap design, each gully is also the sewer rodding eye,
- simple design,
- easy and effective cleaning.

Parameter	Technical information
Frame shape	Square / Round
Frame dimensions for square floor drains (mm)	Standard from 100x100 to 400x400 Other sizes on request
Frame diameter for round floor drains (mm)	Standard from 150 to 300 Other sizes on request
Body design	One piece / Two pieces
Type of outlet	Vertical / Horizontal
Size of outlet (external diameter, mm)	From 50 to 200
Capacity (l/s)	From 0.9 to 13.9
Total height (mm)	From 58 to 440
Type of grating	Mesh / Ladder / perf. plate / plate

FLOOR DRAINS

EXAMPLE SINGLE PART DRAIN



Grate

Waste basket

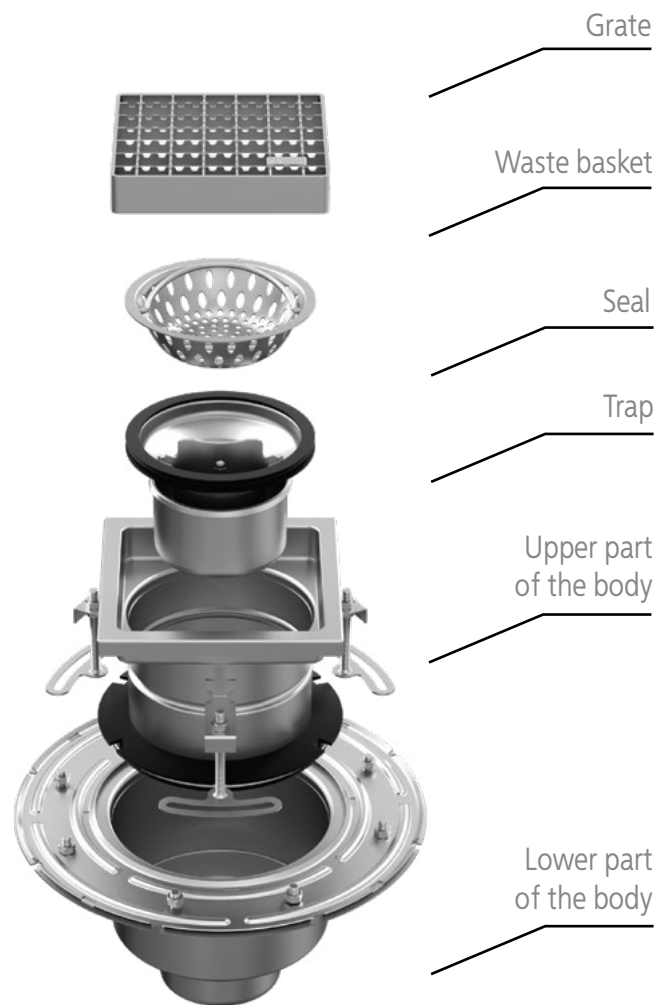
Seal

Trap

Body

Outlet

EXAMPLE TWO PART DRAIN



Grate

Waste basket

Seal

Trap

Upper part
of the body

Lower part
of the body

DESCRIPTION OF THE FLOOR DRAINS COMPONENTS

Bodies – round shape limits waste accumulation and enables easy waste removal. The welded joints are grinded to remove sharp edges and ensure safe installation or cleaning.

Gratings – available in various shapes, dimensions and finishing versions. The gratings are selected according to the loads and location of installation. We offer the following grating types: mesh anti-slip, ladder, plate and perforated sheet.

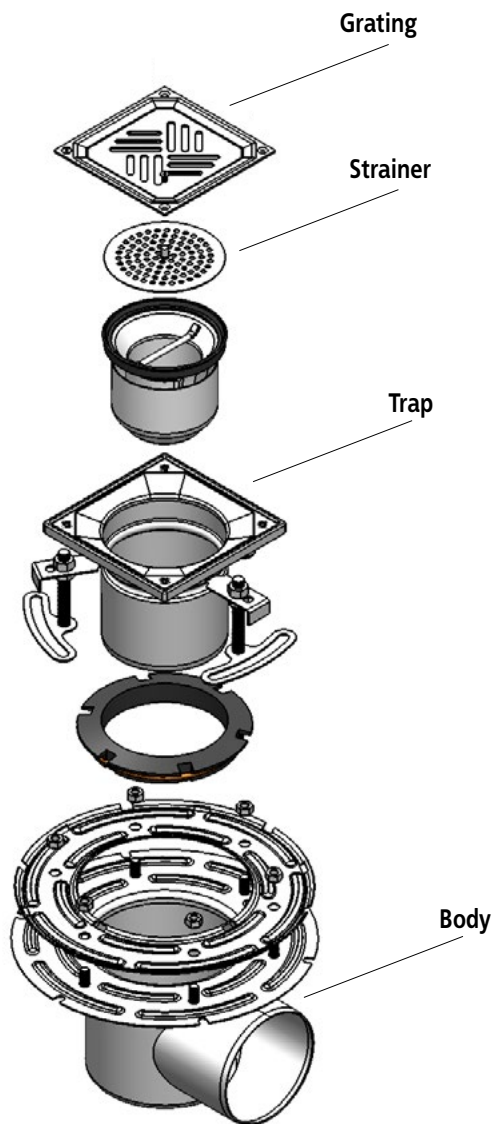
Waste baskets - recommended when the drained wastewater has a high content of solids.

Strainers – used when the amount of solids is small.

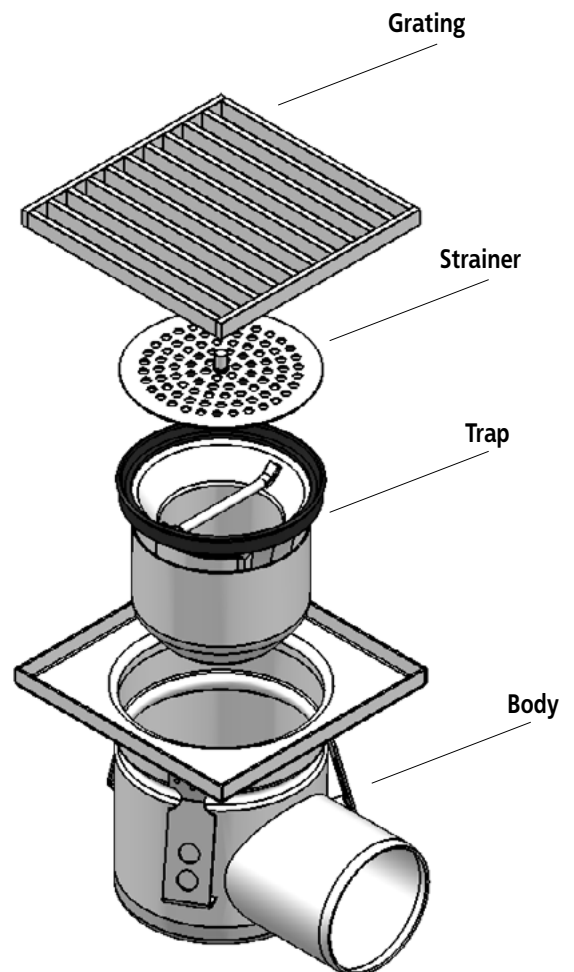
Traps – very functional and easy to maintain. Ensures easy access to the sewer, quick cleaning and offers a possibility of checking for locks.

Flanges - used when it's necessary to drain water from horizontal systems installed under the floor.

MINI FLOOR DRAINS



WMK150 LINE



WM150 LINE

Wm series drains were created for light industrial use, swimming pools, bathrooms, hotels, apartments and restrooms. Designed to provide quick and simple maintenance, highest hygiene standards and still economic trapped drainage solutions.

ACCESSORIES for industrial vertical and horizontal floor drains, with square top, single- and two-part



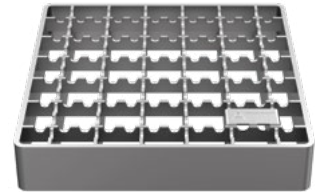
Filter basket



Sediment basket



Trap



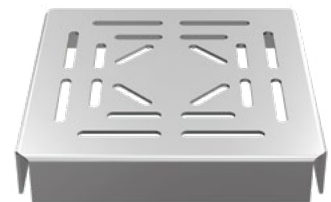
Anti-slip mesh grating



Ladder grating



Plate grating

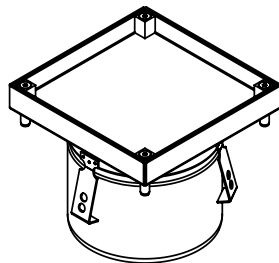
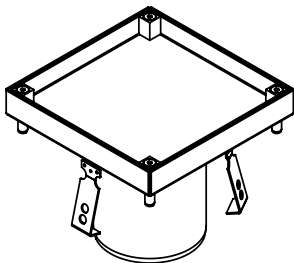
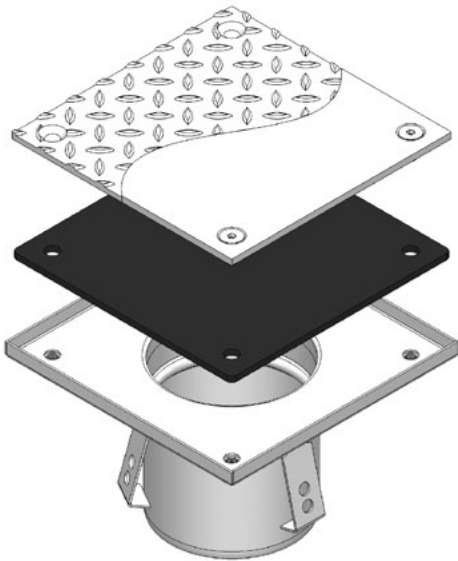


Perforated sheet grating



Tight plate grating

RODDING EYES



These sewage system elements are widely applied in industrial facilities (chemical, food, pharmaceutical plants etc.). Use of a rodding eye allows quick access to the underfloor area and easy cleaning.

Rodding eyes are made of AISI304 or AISI316 grade steel. Penetration of water is prevented by the seal installed between the bolted cover and the body.

Two types of covers are available:

- **smooth (G)**
- **checker plate (R)**
- **tileable**

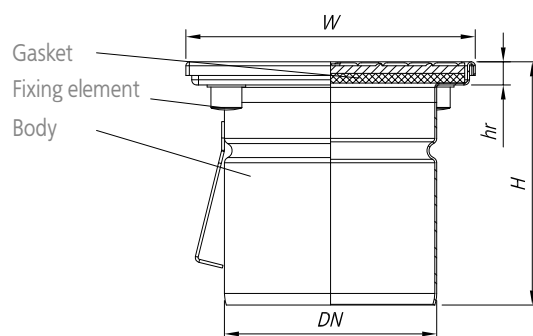
Edge finish allows for installation in any type of floor. We offer rodding eyes for sewage pipes of diameters from DN110.

ADVANTAGES OF RODDING EYES

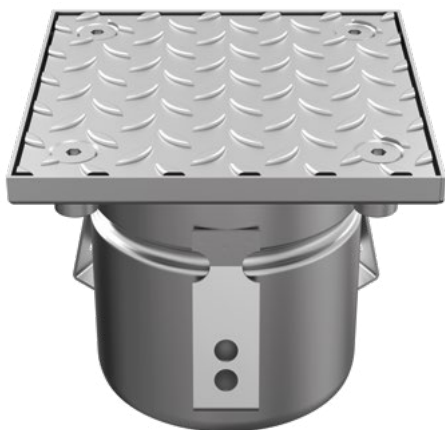
- resistant to corrosion,
- provide a barrier against odours,
- easy installation,
- dimensions of offered rodding eyes are adapted to the sewage system diameter,
- an aesthetically pleasing design element.

RODDING EYES

Symbol	Catalogue Number	Dimensions [mm]	
		DN	
Rw 150/110	050110 - *	DN	110
		W	150
		H	150
Rw 200/110	05110 - *	DN	110
		W	200
		H	150
Rw 200/160	051160 - *	DN	160
		W	200
		H	140
Rw 250/160	052160 - *	DN	160
		W	250
		H	140
Rw 250/200	052200 - *	DN	200
		W	250
		H	140
Rw 300/160	053160 - *	DN	160
		W	300
		H	140
Rw 300/200	053200 - *	DN	200
		W	300
		H	140



SMOOTH COVER



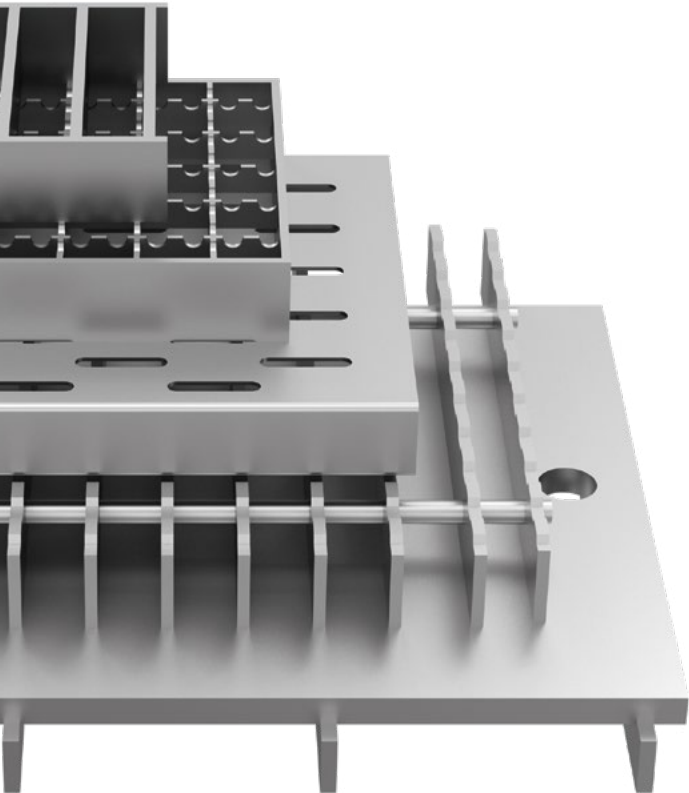
CHECKER PLATE COVER

ELEMENTS OF RODDING EYE

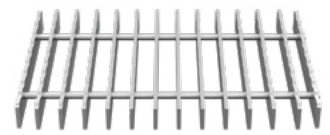
- body,
- cover,
- fixing screws,
- seal.



STANDARD CHANNELS



perforated sheet grating



hygienic ladder grating



anti-slip mesh grating



ladder grating



plate grating



They are used to collect water from the surface of the floor and drain it into the sewage system. Drainages of this type are used in food plants (breweries, dairies, abattoirs) and chemical industry plants.

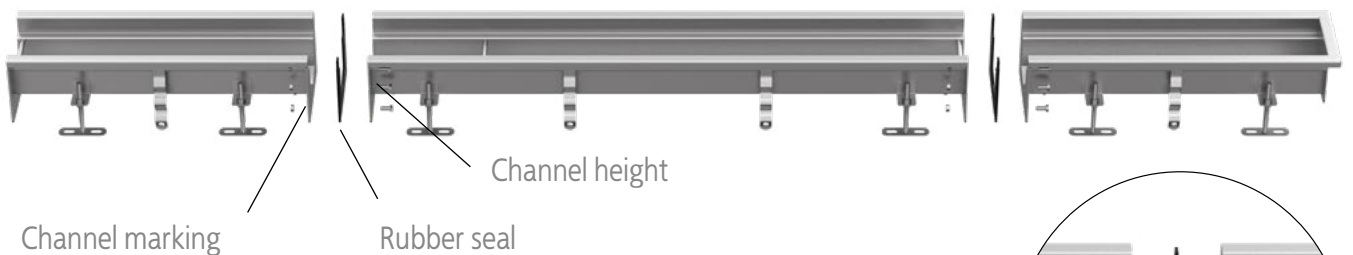
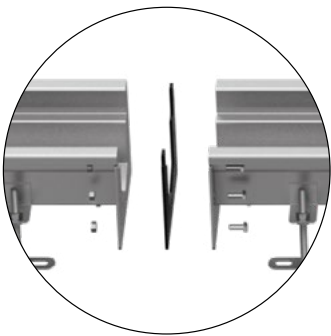
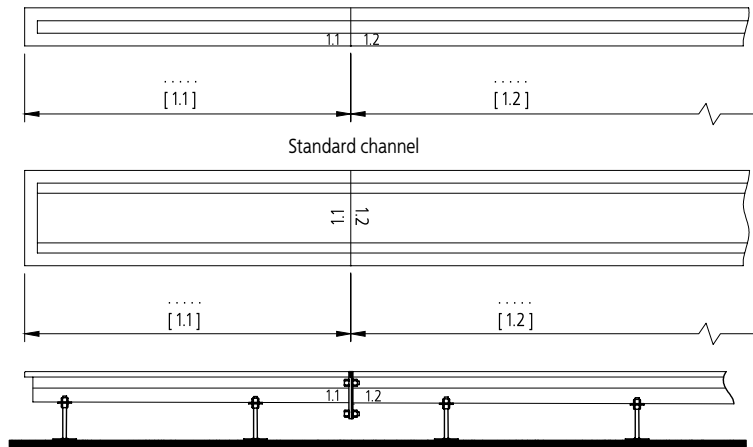
PRODUCTION TECHNOLOGY

Standard channels are manufactured in a wide range of dimensions and shapes. They are produced according to a drawing prepared as a result of cooperation

between an investor, a designer or a technologist and ATT engineers. By standard, we use sheet metal of 2 [mm] thickness made of AISI304 or AISI316 grade steel for production. The drainpipes have built-in bottom slope, which by standard is 1%. There is a possibility to adapt the size of the slope to a specific project. In order to facilitate installation, each channel is equipped with rectifying screws and anchoring elements. They allow correct levelling of the drainpipe and its settling in concrete.

LINEAR DRAINAGE

CHANNELS ASSEMBLY DIAGRAM

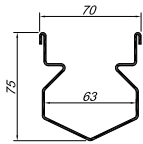


By default, channel lines are divided into 4-metre sections that allow for efficient and safe transport of the product. A single element channel to a maximum length of 6 metres can be manufactured.

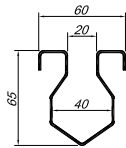
By standard, elements are connected using mounting flanges. This type of connection requires additional space of 25 [mm] under the bottom of the channel in order to ensure tightness between its sections. Alternatively, the drainage system may be welded directly at the construction site.

LINEAR DRAINAGE

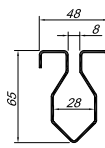
MINIMUM HEIGHTS FOR STANDARD AND SLOT CHANNELS



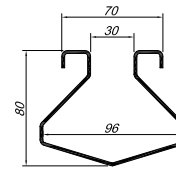
Mini standard channel



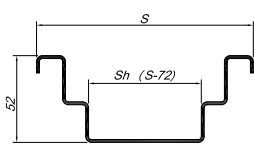
Slot channel



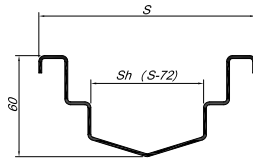
Mini slot channel



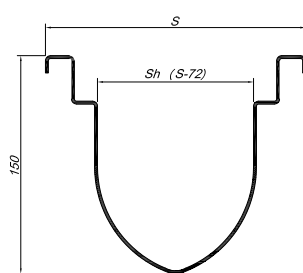
Maxi slot channel



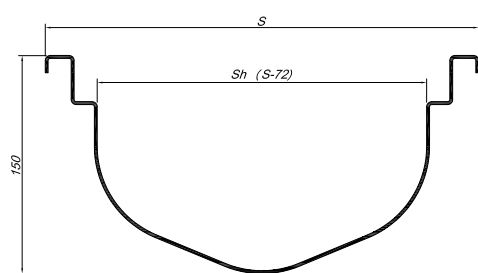
Standard channel with flat bottom



Standard channel with v-shaped bottom



Narrow standard channel with rounded bottom



Wide standard channel with rounded bottom

EDGES FILLING

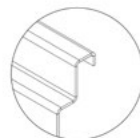
Standard edge (unfilled).

Edge filled with synthetic. It facilitates assembly and prevents empty spaces between concrete and the edge, thus protecting the edge of the channel against deformation under heavy loads.

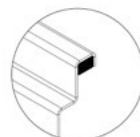
Edge with stainless steel filling. Edges filled with flat bars should be used in areas of high traffic intensity and high utility loads.

Edge with an edge angle section. The angle is connected with the edge of the channel via bars. This type of edge is used to create expansion joint along the standard channel, e.g. at high temperatures of drained liquids.

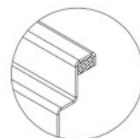
Edge with a strip for vinyl floors. The strip is installed on the channel edge. It provides a tight plate connection between the channel and a floor covered with vinyl.



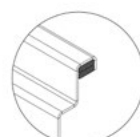
No fill



Rubber fill



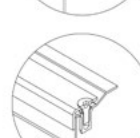
Epoxy



Flat bar fill



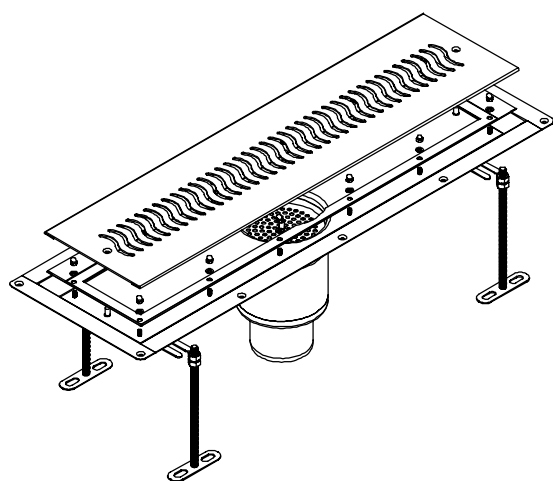
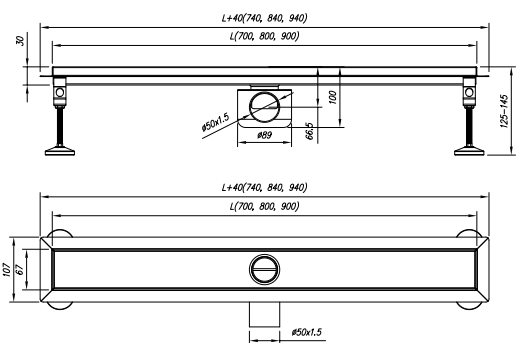
Edge angle



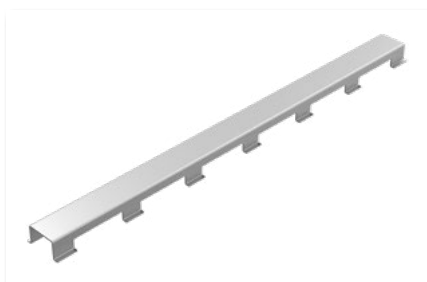
Strip for vinyl floors



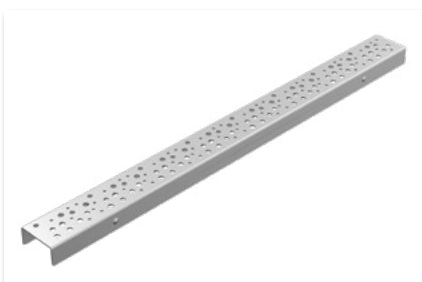
BATHROOM CHANNELS



Standard lengths ranging from 700 [mm] to 1000 [mm].
Individual lengths and vinyl clamps available.



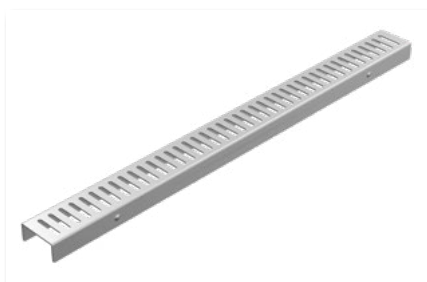
PIAZZA



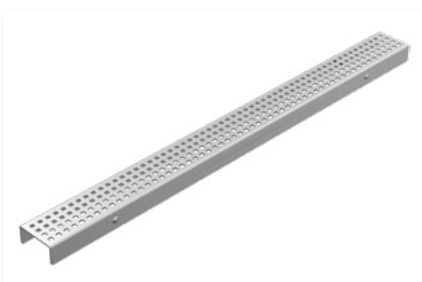
GOCCIA



VIPERA



FAGIOLI



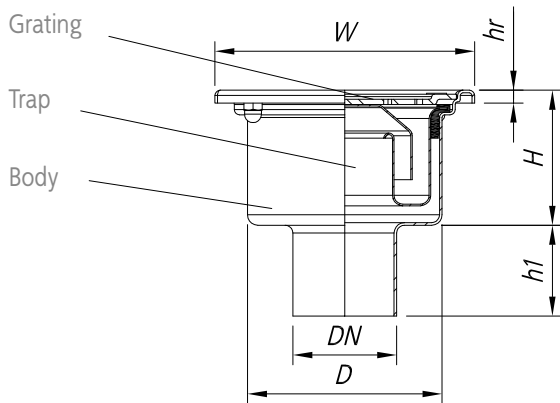
QUADRO



PIETRA

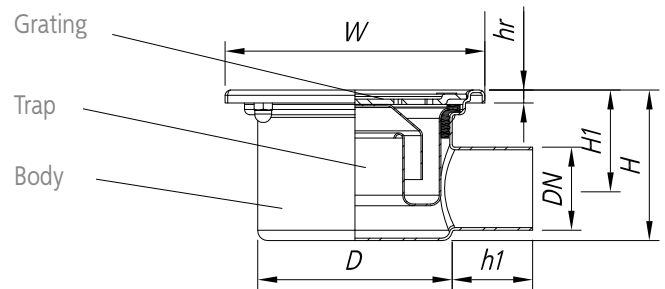
BATHROOM DRAINS

WL100/40 FLOOR DRAINS WITH VERTICAL OUTLET



Symbol		WL100/40V1
Catalogue number mat. 304		00.063040.02 - *
Dimensions [mm]	DN	40
	H	57
	H1	-
	h1	35
	D	77
	W	100x100
	hr	1,5

WL100/32 FLOOR DRAINS WITH HORIZONTAL OUTLET



Symbol		WL100/32H1
Catalogue number mat. 304		00.064032.02-*
Dimensions [mm]	DN	32
	H	58
	H1	42
	h1	30
	D	77
	W	100x100
	hr	1,5

The number of a complete floor drain must be supplemented with the appropriate symbol and/or the grating catalogue no.



FIORE
cat. no. 02.063040.01



CERCHIO
cat. no. 01.063040.01



GOCCIA
cat. no. 03.063040.01



FIORE
cat. no. 02.063040.01



CERCHIO
cat. no. 01.063040.01



GOCCIA
cat. no. 03.063040.01

ATT INOX ENGINEERING

MANHOLE COVERS



Manhole covers are available in various options and sizes. They are widely used in industrial and public facilities, i.e. in shops, exhibition halls, restaurants, workshops, warehouses, and other places where access to underfloor installations is required.

Floor tiles, terracotta or other materials can be used as finishing material of the upper part of a manhole covers.

Manhole covers are made of 3 [mm] thick stainless steel sheet of AISI 304 or AISI 316. This material allows applying products in places with strict hygienic requirements.

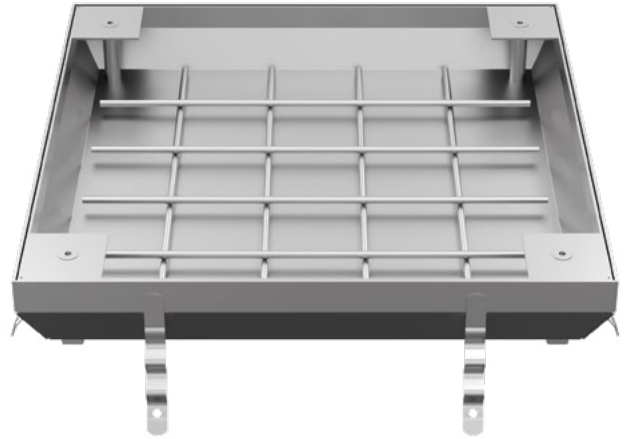
Manhole covers consist of upper and lower parts bolted

to ensure safe closure. The product reinforcement is made of "black steel". An O-ring seal between the lower and upper parts is applied.

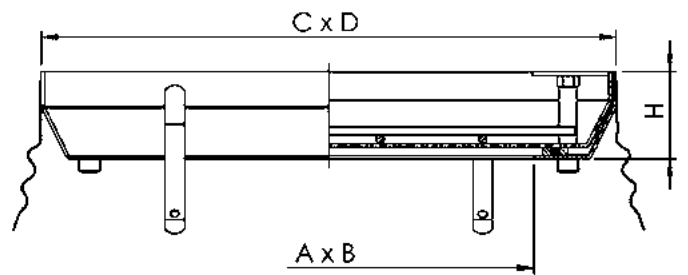
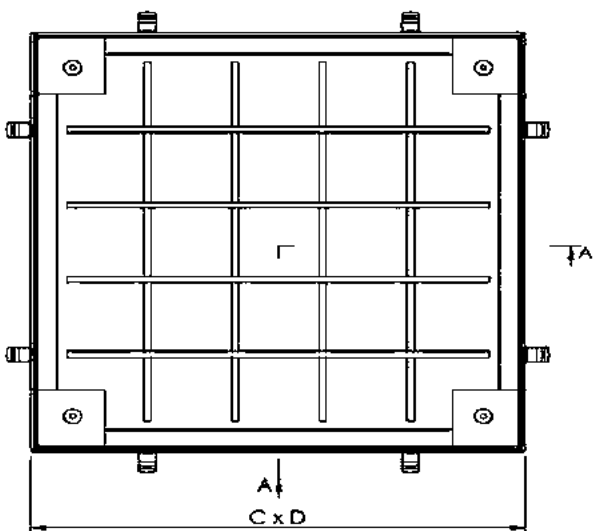
ADVANTAGES OF MANHOLE COVERS

- easy access to underfloor installations,
- isolation against odours,
- waterproof,
- simple opening system,
- high durability,
- aesthetically appealing.

MANHOLE COVERS



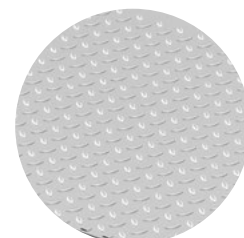
DIMENSIONS OF GAS-TIGHT MANHOLE COVERS



The set includes: 2x round handle



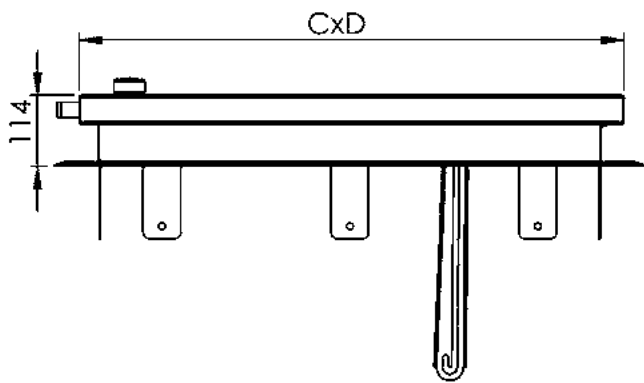
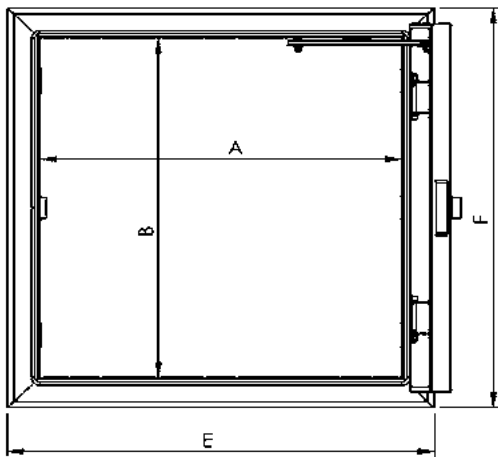
Option: checker plate



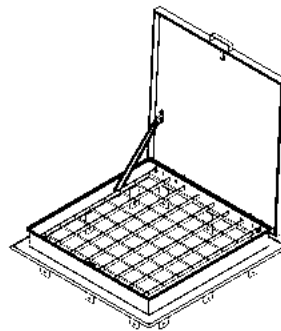
Class	Type	A x B [mm]	C x D [mm]	H [[mm]
B125 C250 D400	K3x3	300x300	440x440	70
	K4x4	400x400	560x560	85
	K5x5	500x500	660x660	85
	K6x6	600x600	760x760	85
	K7x7	700x700	880x880	100
	K8x8	800x800	980x980	100
	K9x9	900x900	1080x1080	100
	K10x10	1000x1000	1180x1180	100

ACCESS COVERS

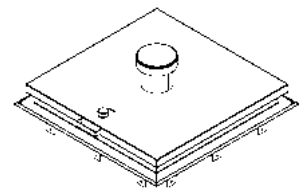
ACCESS COVER DIMENSIONS



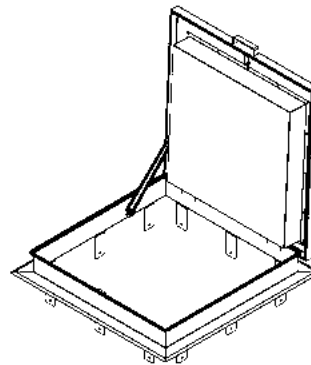
Access cover options:



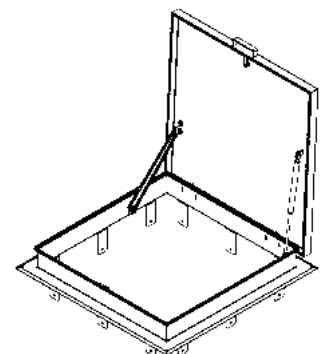
with protective grid



with a ventilation cup



with insulation

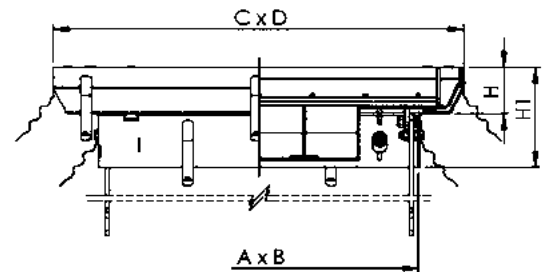
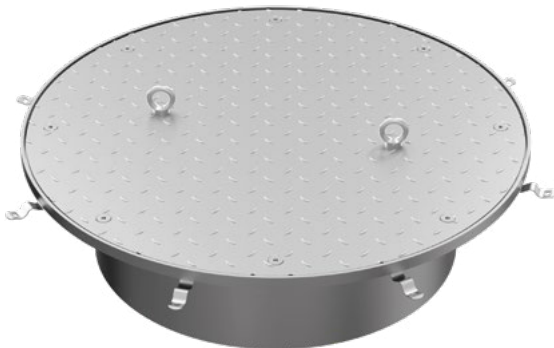
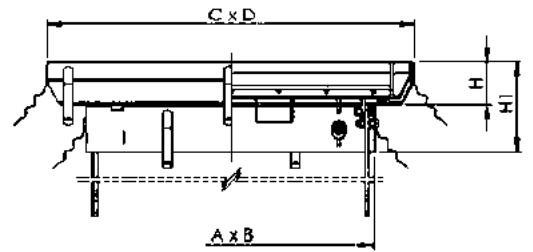


with gas lifters (the number of pieces depends on the size of the access cover)

Type	A x B [mm]	C x D [mm]	E x F [mm]
WB-14x4	400 x 400	470 x 470	543 x 543
WB-15x5	500 x 500	570 x 570	643 x 643
WB-16x6	600 x 600	670 x 670	743 x 743
WB-17x7	700 x 700	770 x 770	843 x 843
WB-18x8	800 x 800	870 x 870	943 x 943
WB-19x9	900 x 900	970 x 970	1043 x 1043
WB-110x10	1000 x 1000	1070 x 1070	1143 x 1143



MANHOLE COVERS



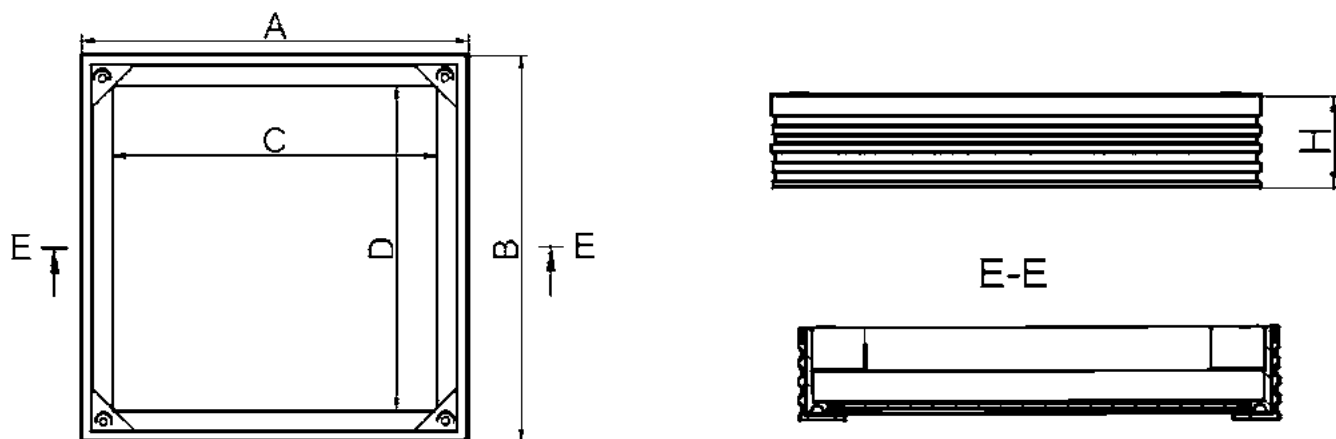
ATT's range of products is complemented by round manhole covers. They are manufactured in two versions: for filling or with a stainless checker plate. The engineering department adapts the dimensions and structures resulting from the expected load class as per individual specifications of the client.

Aluminium manhole covers are used in industrial and public facilities: in shops, exhibition halls, restaurants, workshops, and warehouses, wherever access to underfloor installations is required. Floor tiles, terracotta or other materials can be used as finishing material of the upper part of a manhole cover. Products are available in various options and sizes. These elements provide a barrier against odours and liquids. Three series are available:

KA-light, KA-heavy and KA- extra heavy.



ALUMINIUM MANHOLE COVERS



KA-Light series – manhole covers equipped with two seals: one in the bottom and T-seal * in the frame. Four heights are available: 40 [mm], 60 [mm], 80 [mm], 100 [mm].

Serial number	External dimension AxB [mm]	Internal dimension Cx D [mm]	Height H [mm]	Load [Kn]
KA-40/60/80/100L- 3x3	300x300	240x240	40/60/80/100	40
KA-40/60/80/100L- 4x4	400x400	340x340	40/60/80/100	40
KA-40/60/80/100L- 5x5	500x500	440x440	40/60/80/100	40
KA-40/60/80/100L- 6x6	600x600	540x540	40/60/80/100	40
KA-40/60/80/100L- 7x7	700x700	640x640	40/60/80/100	20
KA-40/60/80/100L- 8x8	800x800	740x740	40/60/80/100	20
KA-40/60/80/100L- 9x9	900x900	840x840	40/60/80/100	20
KA-40/60/80/100L-10x10	1000x1000	940x940	40/60/80/100	20

BOLLARDS AND BARRIERS



Protective elements are used e.g. in food industry plants (breweries, dairies, abattoirs), in catering facilities, and hospitals. The shape, diameter of pipes, height of buffers and mechanical resistance parameters are designed in accordance with the individual expectations of a client. By standard, 1.5 to 3 [mm] thick pipes are used. We offer surfaces with 2B finish or brushed. There are 2 types of buffer installation: 1) in holes in the floor which are filled with concrete; 2) by chemical or expansion anchors, that attach the flange of the buffer to the floor.



The complete unit constitutes a durable and hygienic element that provides protection for walls, sliding doors and other objects, and enables effective cleaning of the protected area. Non-corrosive stainless steel is a significant advantage for bollards and barriers in the event of mechanical damage. Upon impact, the product is only deformed, and it retains its hygienic characteristics.



KERBS



STAINLESS STEEL KERBS

Food production, chemical, and pharmaceutical plants require adherence to particularly strict hygiene requirements. These include covering contact places between a floor and a wall, as well as walls and a ceiling, where dirt and moisture may accumulate, thus creating conditions contributing to the growth of bacteria.

Stainless steel kerbs are an excellent and functional solution to avoid the problem of bacterial contamination and dirt accumulation. The product is designed to fit to wall panels as well as concrete structures to effectively protect these surfaces. ATT's product line of kerbs is supplemented by finishing elements such as internal and external corners. At the connection between kerbs and the floor, appropriate sealing substances, resistant to strong disinfecting agents and high temperatures, are used.

The product range includes both kerbs that tightly adhere to the panels, and those filled with concrete, and then closed with special covers.



STAINLESS BUFFERING TILES



Stainless buffering tiles offered by ATT are made of 2 [mm] thick sheet metal. They feature high degree of resistance to devastation and damage, and withstand virtually every load occurring in industry and transport.

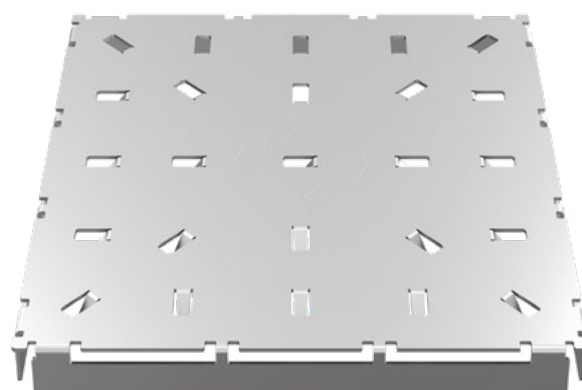
Due to the strict hygienic requirements imposed by e.g. food processing industry standards, ATT offers stainless steel products characterized by anti-corrosion, hygienic finishing and durability.

APPLICATION

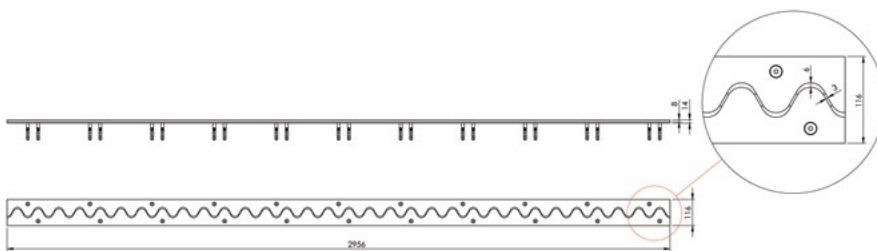
- heavy industry plants,
- food industry plants,
- production halls,
- warehouses, stacking yards,
- printing houses,
- unloading ramps,
- foundries, ironworks.

ADVANTAGES

- resistance to high load classes,
- durability,
- safety,
- renovation of the floor is not required,
- technical support during the entire process of implementation of an order,
- installation service.

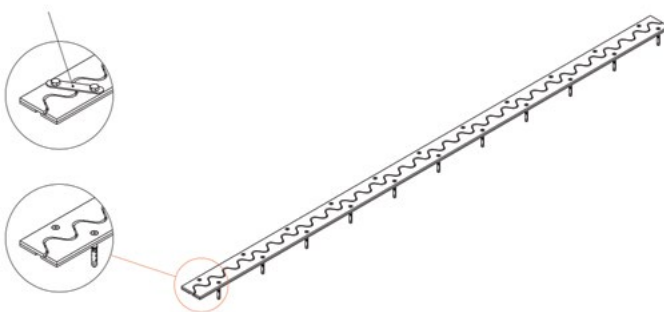


EXPANSION JOINTS

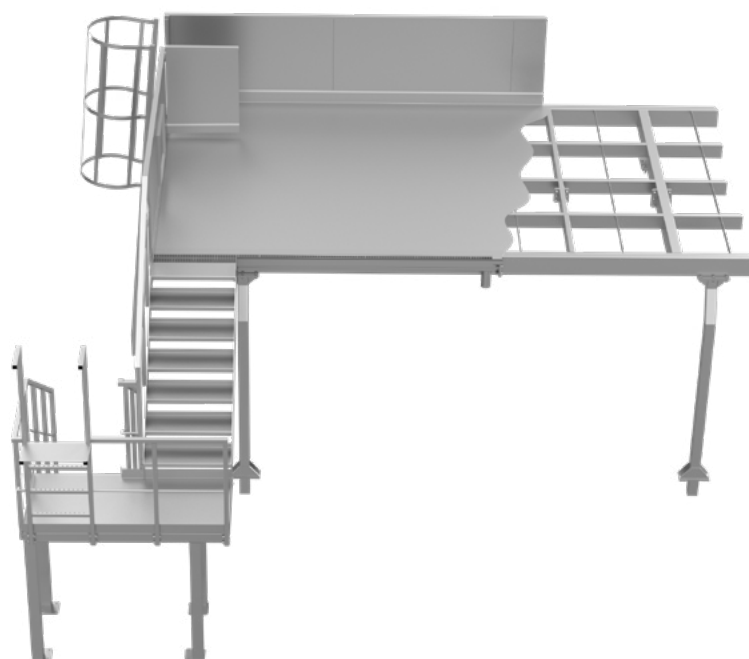
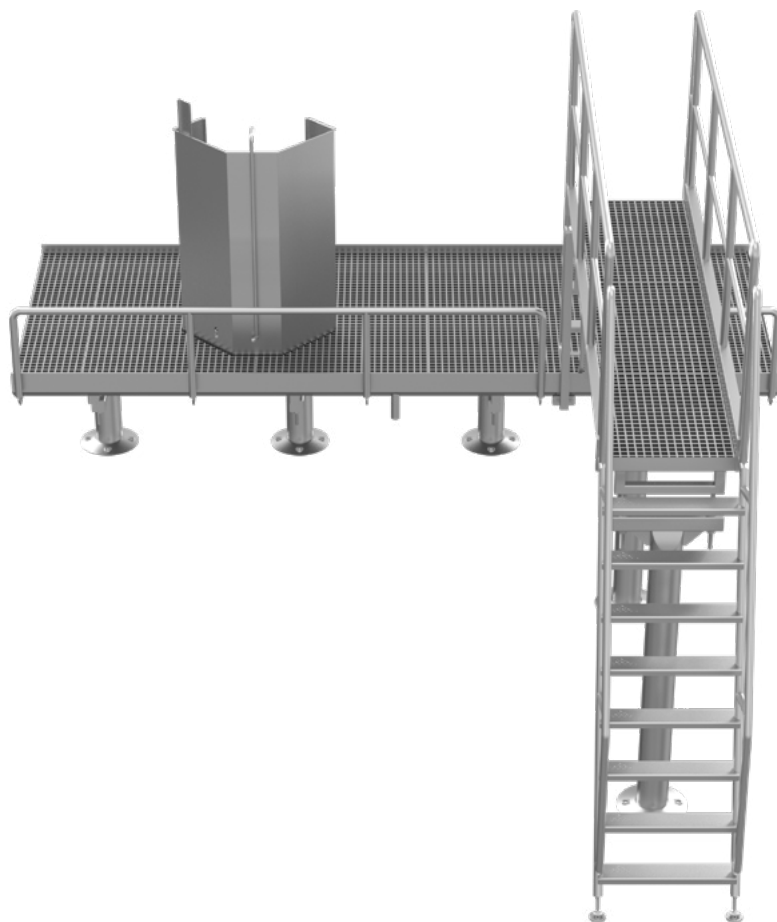


EXPANSION JOINTS

In order to prevent cracks in floors made over larger surfaces, expansion joint cuts are applied during floor application. A stainless steel expansion joint is a structural element buffering surface movements. It also protects gaps against accumulation of any kind of contamination.



PLATFORMS AND STRUCTURES





Technological platforms are elements of engineering structures that ensure safe access to a given industrial zone. Platforms are applied to eliminate hazards and ensure the safety of employees working at heights. Due to the customized shape of each platform, these constructions allow employees easy and safe access to specific working areas.

All platform structures are designed and manufactured in accordance with the following standards:

1. Safety of machinery – Permanent means of access to machinery – Part 1: Choice of fixed means of access between two levels: **PN-EN ISO 14122-1:2016-08.**

2. Safety of machinery – Permanent means of access to machinery – Part 2: Working platforms and walkways **PN-EN ISO 14122-2:2016-08.**

3. Safety of machinery – Permanent means of access to machinery – Part 3: Stairs, stepladders and railings: **PN-EN ISO 14122-3:2016-08.**

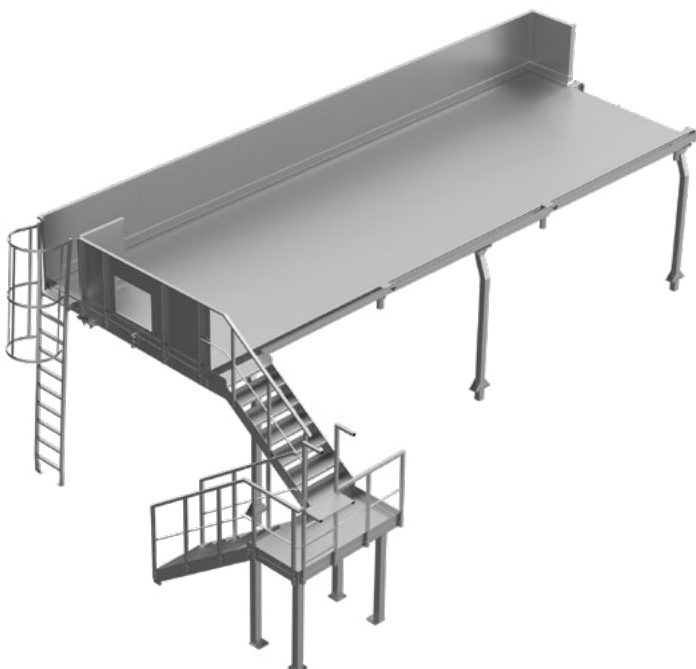
4. Safety of machinery – Permanent means of access to machinery – Part 4: Fixed ladders **PN-EN ISO 14122-4:2016-08.**

5. **PN-EN 1090-1:2012 Part 1:**

Rules of compliance assessment for constructional components

PN-EN 1090-2:2012 Part 2:

Technical requirements for steel structures



TRANSPORT TROLLEYS

We offer a wide selection of transport trolleys intended for food industry facilities: transport trolleys, "Z" and "H" type smoking trolleys, stuffing trolleys, smoked meat cooling tanks, ice defrosting trolleys, meat tubs,

meat wheelbarrows, transport counters, gastronomic counters and others.

Below, we present only selected products, for more information visit www.att.eu.

EURO CONTAINERS TRANSPORT TROLLEYS

Catalogue number	Description	Dimensions [mm]
00.640004.01	wheel type – plastic	410 x 655
00.640004.02	wheel type – rubber	410 x 655

The product offer also includes: transport trolleys with a handle, trolleys for transport trolleys, and handles for transport trolleys.



STUFFING TROLLEYS

Catalogue number	Description	Dimensions [mm]
00.650012.01	capacity 120 l	580x580x595
00.650020.01	capacity 200 l	680x690x700
00.650030.01	capacity 300 l	680x690x950
00.650020.02	capacity 200 l with perforation	680x690x950
00.650020.03	capacity 200 l with a drip tray	680x690x950
00.650030.02	capacity 300 l with a drip tray	680x690x950

Trolleys of the following capacities: 120l, 200l, and 300l. Option: polished finish.



"H" TYPE SMOKING TROLLEYS

Catalogue number	Options	Dimensions [mm]
00.647010.01	6 shelves, for a stick of 1000 [mm] length	1021 x 985 x 1970
00.647010.02	6 shelves, for a stick of 1000 [mm] length and trays 920 x 948 [mm]	1021 x 985 x 1970

Smoking trolleys of "Z" and "H" types are available in two versions: for trays or for sticks. The range includes sticks of the "star" type.



HYGIENE ELEMENTS

HYGIENE PANEL

Catalogue number	Dimensions [mm]	Options
00.608009.01	950 x 950	activated via a photocell
00.608009.02	950 x 950	knee activation
00.608009.03	950 x 950	with a steriliser

The hygiene panel is equipped with the following elements:

- washbasin with a knee or sensor switch,
- soap and disinfecting agent dispenser,
- paper towel container,
- bin for used towels,
- wall protection against splashing.



WASHBASIN DRAINPIPE

Catalogue number	number of stations	Dimensions [mm]
00.606013.01	2	1300 x 500 x 710
00.606019.01	3	1900 x 500 x 710
00.606025.01	4	2500 x 500 x 710



Moreover, we recommend soap, disinfecting agents and paper towel dispensers, as well as bins for used towels, for our multi-station washbasins.

MANUAL WASHERS FOR SHOES

Catalogue number	Dimensions [mm]
00.690004.01	400 x 510 x 420

We offer a wide variety of manual and mechanical washers for shoes and soles, equipped with triggering and deactivating sensors, with height adjustment capabilities, etc., depending on individual needs.



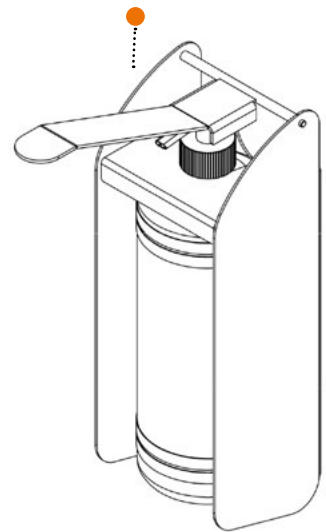
HYGIENE DISPENSER

The dispenser made of AISI 304 stainless steel meets the health and safety standards. Universal design allows usage in most hygienically demanding work environment. The dispenser can be adapted to surfaces such as: tables, shelves, cabinets or it may be combined with other products, such as: dispensers for paper tissues, disposable gloves and head cover nets.

GENERAL INFO

- Stainless steel disinfection pillar
- Material: stainless steel AISI 304 (1.4301)
- Sheet thickness 2 mm
- Plastic pump
- Heavy foot plate thickness 4 mm
- Brushed surface

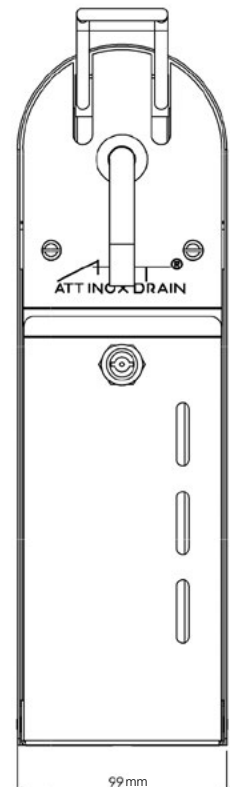
Light version
of the dispenser



Mounting holes



Convenient handle



Please note that ATT is continuously developing its portfolio of products in order to implement technology upgrades and meet legal requirements. The company thus reserves the right to modify products at any time, without changing their general characteristics.

Any offer presented in the catalogue is not an offer within the meaning of the Civil Code.

ATT Sp. z o. o.
ul. Albatrosów 16C, 30-716 Kraków, Poland
tel. +48 12 290 29 30
fax +48 12 290 29 31
e-mail: att@att.eu
www.att.eu



ATT Sp. z o.o.

ul. Albatrosów 16c,
30-716 Kraków, Poland
tel: +48 12 290 29 30
fax: +48 12 290 29 31
e-mail: att@att.eu
www.att.eu

