

# DEDICATED STAINLESS STEEL PRODUCTS



## DRAINS

- Parapet drains
- Roof drains
- Balcony drains
- Planter drains
- Floor drains

## RODDING EYES

- with hinged cover
- with Pietra grating

# PARAPET DRAINS

**PARAPET DRAIN-Convex Shape Stainless Steel Through Wall Parapet Drain** and **PARAPET DRAIN WITH-Concave Shape Stainless Steel Through Wall Parapet Drain** come in a variety of sizes. Stainless steel dome strainer included. Drains are equipped with flange and clamping bolts. Different types of outlet diameters D75/110/160/200. Available material AISI304 and AISI 316L.

## PARAPET DRAIN CONVEX

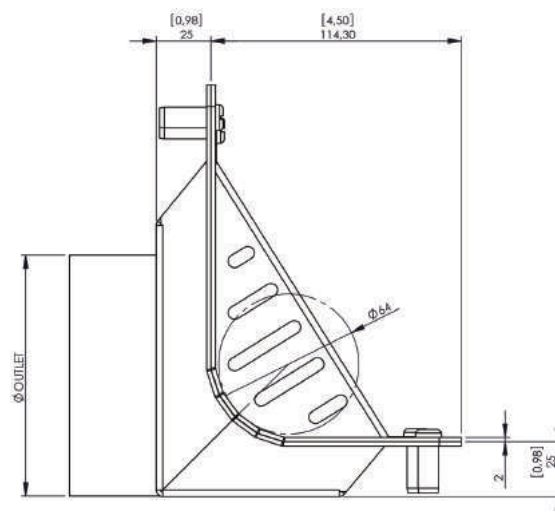
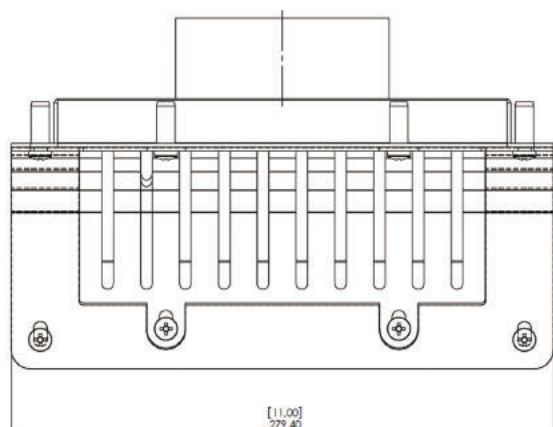
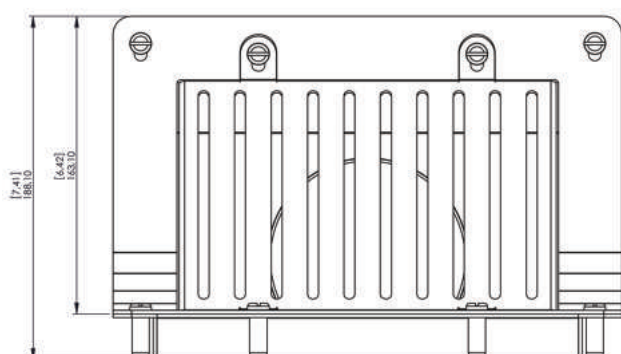


Art nr./Ref nr.	DEPTH[mm]	WIDTH[mm]	HEIGHT[mm]	OUTLET[mm]
PD200/050H-CX	115	280	163	50
PD200/075H-CX	115	280	163	75
PD200/110H-CX	115	280	163	110
PD500/200H-CX	240	730	412	200
PD500/300H-CX	240	730	412	300

## PARAPET DRAIN CONCAVE



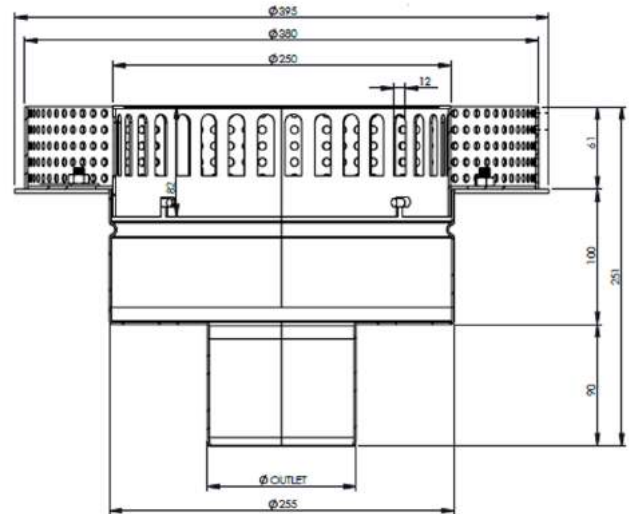
Art nr./Ref nr.	DEPTH[mm]	WIDTH[mm]	HEIGHT[mm]	OUTLET[mm]
PD200/050H-CV	115	280	163	50
PD200/075H-CV	115	280	163	75
PD200/110H-CV	115	280	163	110



# ROOF DRAINS

## ROOF DRAIN STANDARD

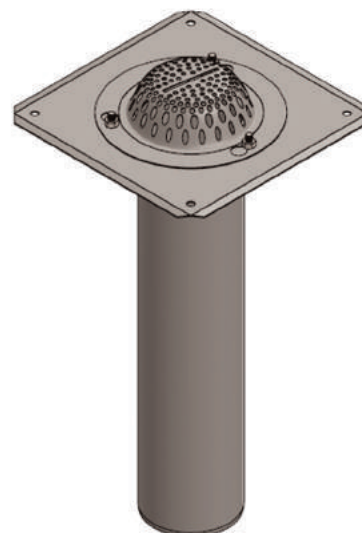
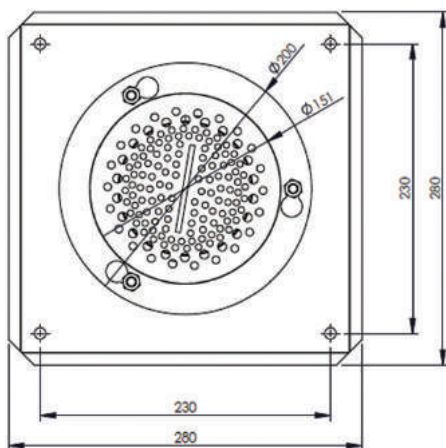
with anchor flange, stainless steel waterproofing membrane clamp ring with screwed gravel stop, adjustable stainless steel extension flange, underdeck clamp and standard self-locking stainless steel dome strainer. Used in any type of flat roofs and gutters. Dome provides for efficient drainage of rainwater and prevents debris from entering the drain line. Adjustable extension system can be adjusted to the thickness of insulation on top of the roof deck without the need for gaskets. Anchor flange and membrane clamp in groove design provides for secure grip of membrane and roof flashing materials.



Art nr./Ref nr.	DEPTH[mm]	WIDTH[mm]	HEIGHT[mm]	OUTLET[mm]
RD255/050V1	100	395	61	50
RD255/075V1	100	395	61	75
RD255/110V1	100	395	61	110

## ROOF DRAIN DOME TYPE

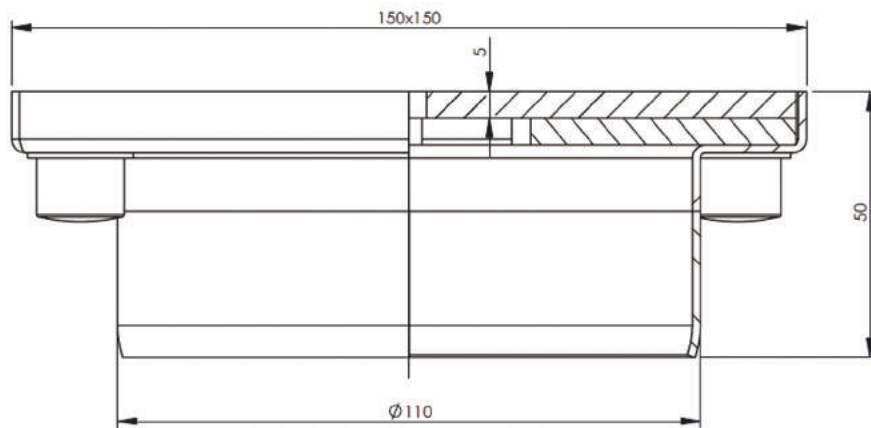
with anchor stainless steel upper plate flange with fourscrews, stainless steel dome strainer and long pipe outlet.



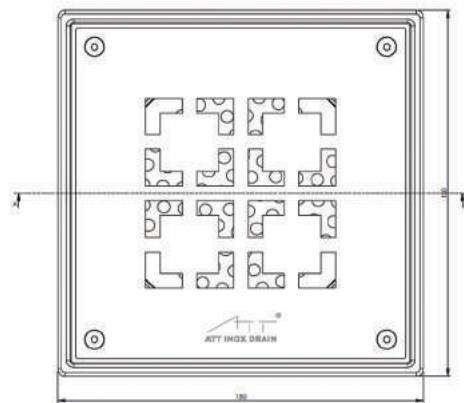
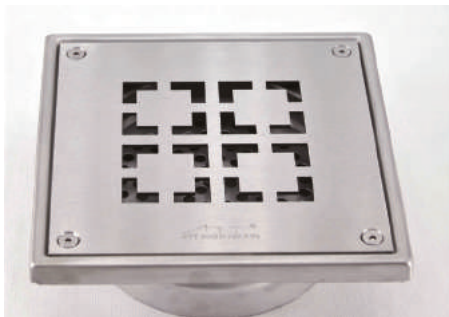
Art nr./Ref nr.	DEPTH[mm]	WIDTH[mm]	HEIGHT[mm]	OUTLET[mm]
RD-DT/110V1	280	280	545	110

# BALCONY DRAINS

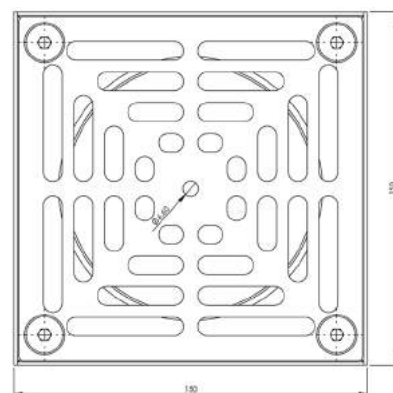
Available dimensions for all type of balcony drains are: width 150x150 mm, height: 50mm.



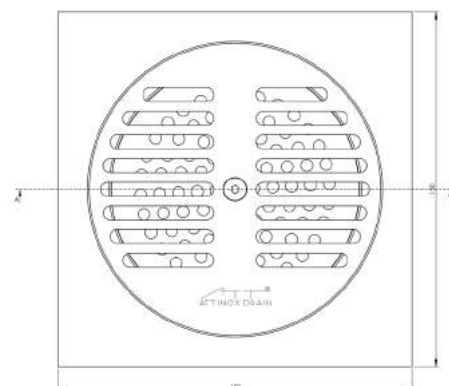
BD-WMK150/110V1



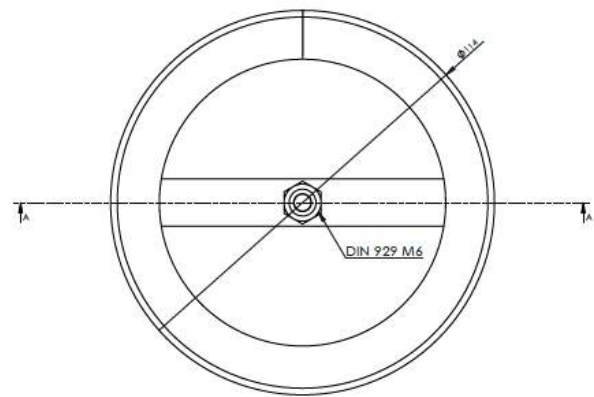
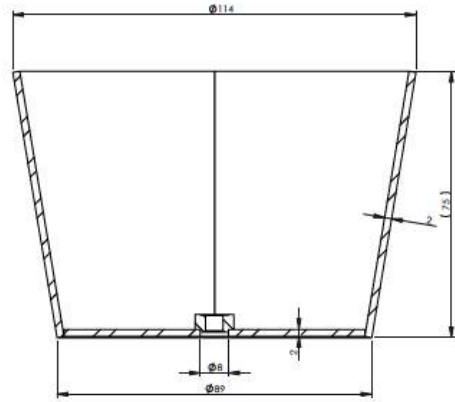
BD-WM150/110V1



BD-WL150/110V1



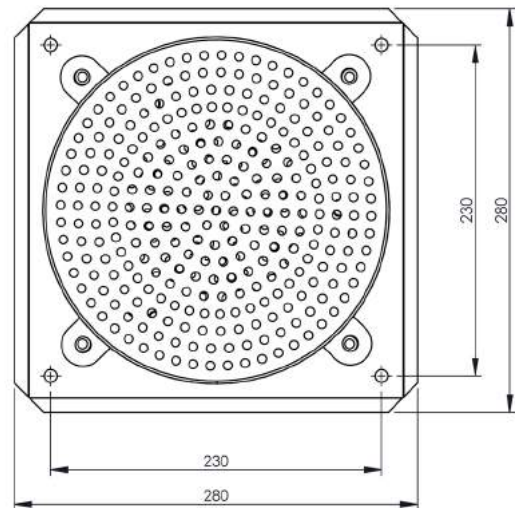
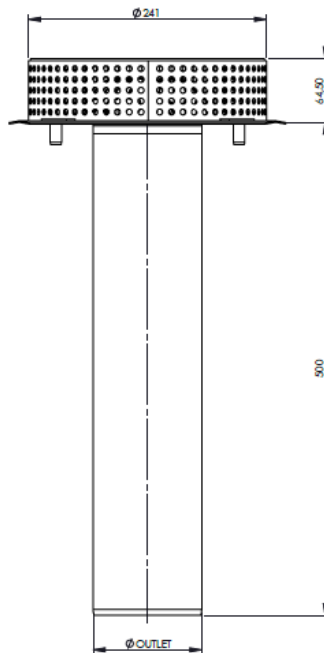
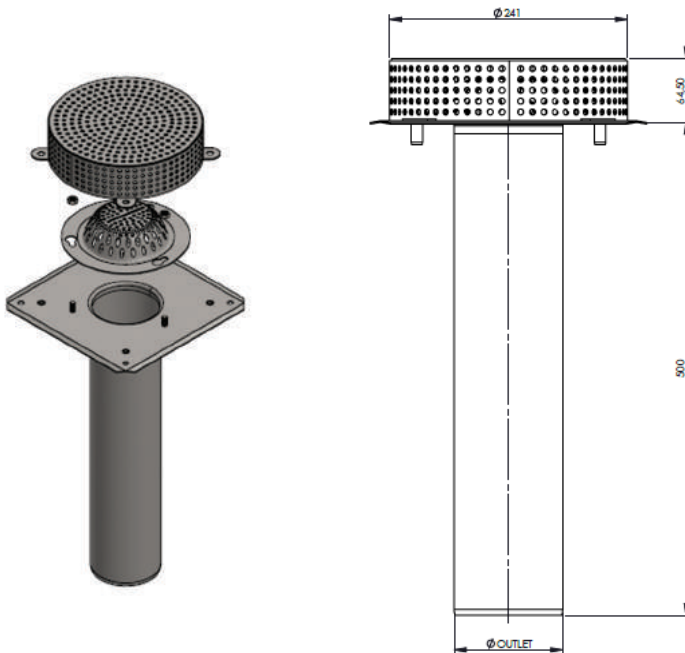
## FUNNEL



Art nr./Ref nr.	WIDTH[mm]	HEIGHT[mm]	ASSEMBLY
FN-90/115/75_M6	89/114	75	M6

## PLANTER DRAIN

stainless steel drain used in plaza or planter areas of green roof systems.



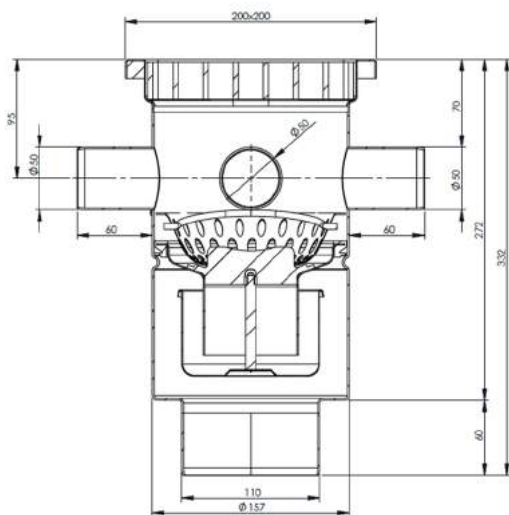
Art nr./Ref nr.	DEPTH[mm]	WIDTH[mm]	HEIGHT[mm]	OUTLET[mm]
PLD300/050V1	280	280	565	50
PLD300/075V1	280	280	565	75
PLD300/110V1	280	280	565	110

# FLOOR DRAINS

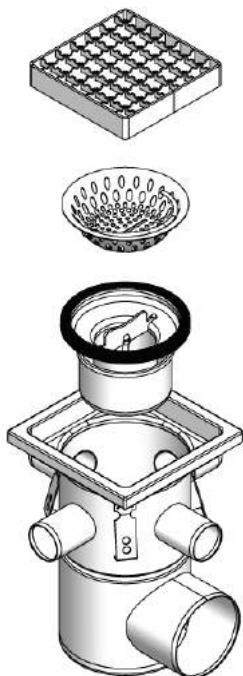
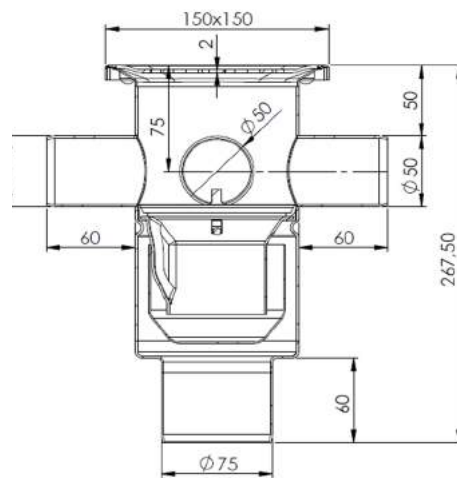
Floor drains are used in all places where hygienic requirements, corrosion resistance and durability play crucial role in selecting proper product.



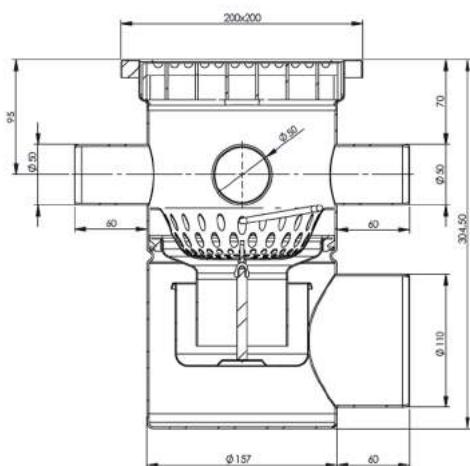
**W200/110V1 - 4 INLETS**



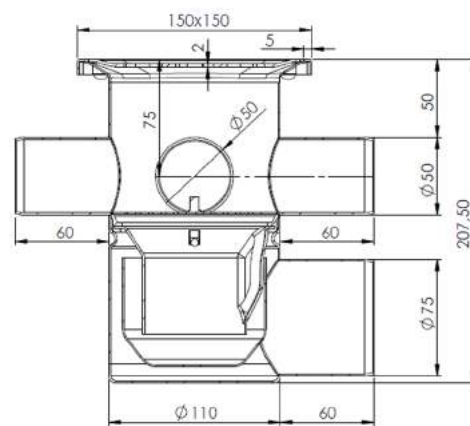
**WMK150/075V1 - 4 INLETS**



**W200/110H1 - 4 INLETS**



**WMK150/075H1 - 4 INLETS**

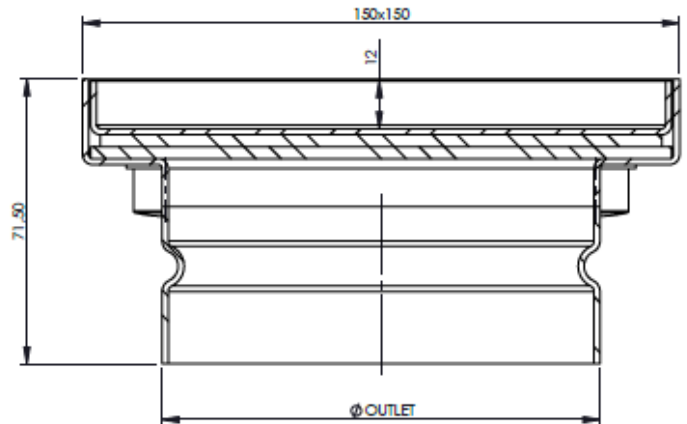


Art nr./Ref nr.	DEPTH[mm]	WIDTH[mm]	HEIGHT[mm]	OUTLET[mm]
W200/110V1-4INLETS	200	200	332	110
W200/110H1-4INLETS	200	200	305	110
WMK150-075V1-4INLETS	150	150	268	75
WMK150-075H1-4INLETS	150	150	268	75

# RODDING EYES

## WITH PIETRA GRATING

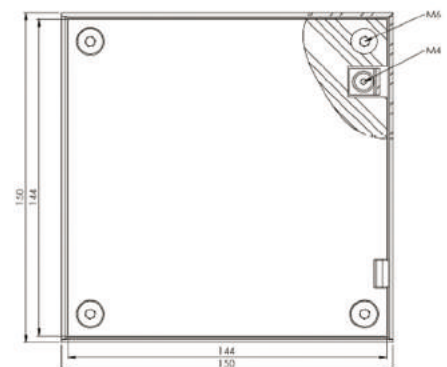
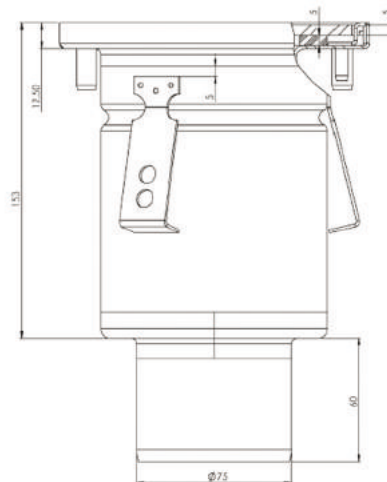
rodding eye is designed primarily on tiled floors. Grating consists of two elements. Crewed and sealed 5mm plate with rubber and upper part of grating ATT Pietra type prepared to put tile inside.



Art nr./Ref nr.	DEPTH[mm]	WIDTH[mm]	HEIGHT[mm]	OUTLET[mm]
RW150/050V1-PG	150	150	72	50
RW150/075V1-PG	150	150	72	75
RW150/110V1-PG	150	150	72	110

## WITH HINGED COVER

rodding eye with deep body. Hinged cover grating with screws. Crewed and sealed 5mm plate with rubber. Strainer inside.



Art nr./Ref nr.	DEPTH[mm]	WIDTH[mm]	HEIGHT[mm]	OUTLET[mm]
RW150/050V1-HG	150	150	178	50
RW150/075V1-HG	150	150	178	75
RW150/110V1-HG	150	150	178	110



ATT Sp. z o. o.  
ul. Albatrosów 16c,  
30-716 Kraków, Poland  
tel.: +48 12 290 29 30  
fax: +48 12 290 29 31  
att@att.eu, www.att.eu