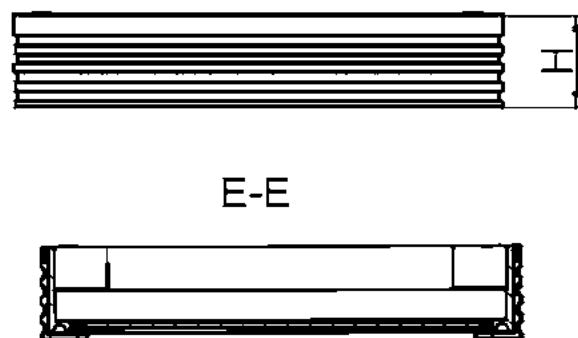
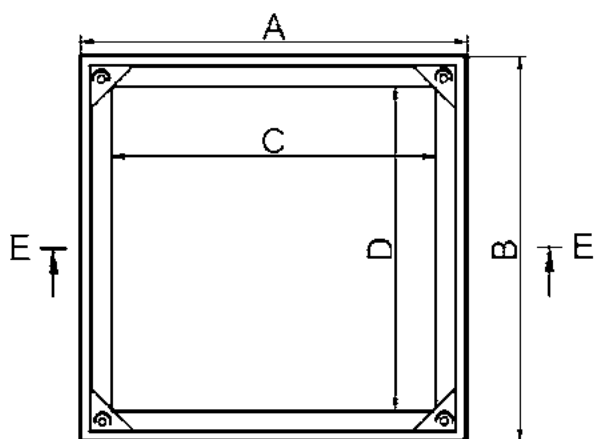


# ALUMINIUM MANHOLE COVERS

Aluminium manhole covers are used in industrial and public facilities: in shops, exhibition halls, restaurants, workshops, and warehouses, wherever access to underfloor installations is required. Floor tiles, terracotta or other materials can be used as finishing material of the upper part of a manhole cover. Products are available in various options and sizes. These elements provide a barrier against odours and liquids. Three series are available: KA-light, KA-heavy and KA-extra heavy.



**KA-Light series – manhole covers equipped** with two seals: one in the bottom and T-seal \* in the frame. Four heights are available: 40 [mm], 60 [mm], 80 [mm], 100 [mm].

Serial number	External dimension AxB [mm]	Internal dimension Cx D [mm]	Height H [mm]	Load [Kn]
KA-40/60/80/100L- 3x3	300x300	240x240	40/60/80/100	40
KA-40/60/80/100L- 4x4	400x400	340x340	40/60/80/100	40
KA-40/60/80/100L- 5x5	500x500	440x440	40/60/80/100	40
KA-40/60/80/100L- 6x6	600x600	540x540	40/60/80/100	40
KA-40/60/80/100L- 7x7	700x700	640x640	40/60/80/100	20
KA-40/60/80/100L- 8x8	800x800	740x740	40/60/80/100	20
KA-40/60/80/100L- 9x9	900x900	840x840	40/60/80/100	20
KA-40/60/80/100L-10x10	1000x1000	940x940	40/60/80/100	20

# ALUMINIUM MANHOLE COVERS

**KA-Heavy series – manhole covers equipped** with three seals: two in the bottom and a T-seal \* in the frame. Four heights are available: 40 [mm], 60 [mm], 80 [mm], 100 [mm].

Serial number	External dimension AxB [mm]	Internal dimension Cx D [mm]	Height H [mm]	Load [Kn]
KA-40/60/80/100H- 3x3	300x300	210x210	40/60/80/100	60
KA-40/60/80/100H- 4x4	400x400	310x310	40/60/80/100	60
KA-40/60/80/100H- 5x5	500x500	410x410	40/60/80/100	60
KA-40/60/80/100H- 6x6	600x600	510x510	40/60/80/100	60
KA-40/60/80/100H- 7x7	700x700	610x610	40/60/80/100	40
KA-40/60/80/100H- 8x8	800x800	710x710	40/60/80/100	40
KA-40/60/80/100H- 9x9	900x900	810x810	40/60/80/100	40
KA-40/60/80/100H- 10x10	1000x1000	910x910	40/60/80/100	40

**KA- Extra Heavy series – manhole covers equipped with a double system**, including three seals: two in the bottom and a T-seal \* in the frame. Two heights are available: 80 [mm] and 100 [mm]. Load class: 125 Kn.

Serial number	External dimension AxB [mm]	Internal dimension Cx D [mm]	Height H [mm]	Load [Kn]
KA-80/100EH- 3x3	300x300	210x210	80/100	125
KA-80/100EH - 4x4	400x400	310x310	80/100	125
KA-80/100EH- 5x5	500x500	410x410	80/100	125
KA-80/100EH- 6x6	600x600	510x510	80/100	125
KA-80/100EH- 7x7	700x700	610x610	80/100	125
KA-80/100EH- 8x8	800x800	710x710	80/100	125
KA-80/100EH- 9x9	900x900	810x810	80/100	125
KA-80/100EH-10x10	1000x1000	910x910	80/100	125

To provide appropriate efficiency of manhole covers, please follow the guidelines below during the installation process:

1. During installation, the upper part and the lower part of the manhole cover must be closed.
2. In order to avoid deformation of the frame, which would cause problems during further use of the manhole cover, place spacers between the edges of the upper and lower parts.
3. It is necessary to correctly level and set the manhole cover in the previously prepared well.
4. The manhole cover must be stabilised using concrete of malleable consistency.
5. The upper part of the manhole cover, including the reinforcement, must be filled with concrete of B30 class or higher, depending on the product's dimensions and the load class.
6. Concrete is poured up to the height that allows for later installation of the floor.