

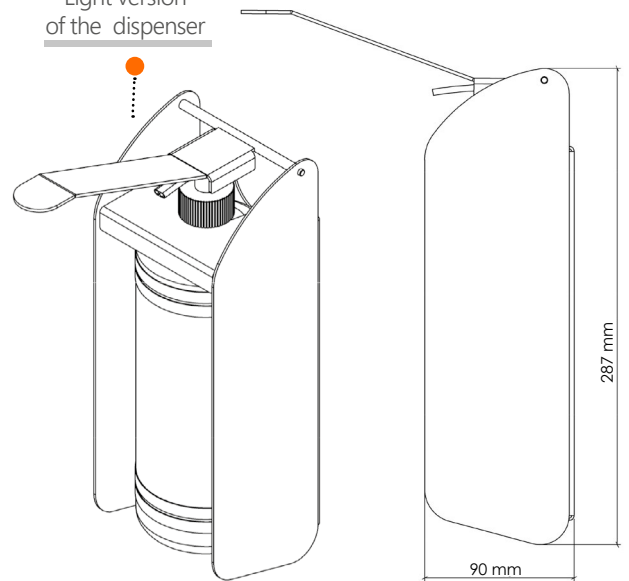
# Industry Hygiene Dispenser

The dispenser made of AISI 304 stainless steel meets the health and safety standards. Universal design allows usage in most hygienically demanding work environment. The dispenser can be adapted to surfaces such as: tables, shelves, cabinets or it may be combined with other products, such as: dispensers for paper tissues, disposable gloves and head cover nets.

## General Info

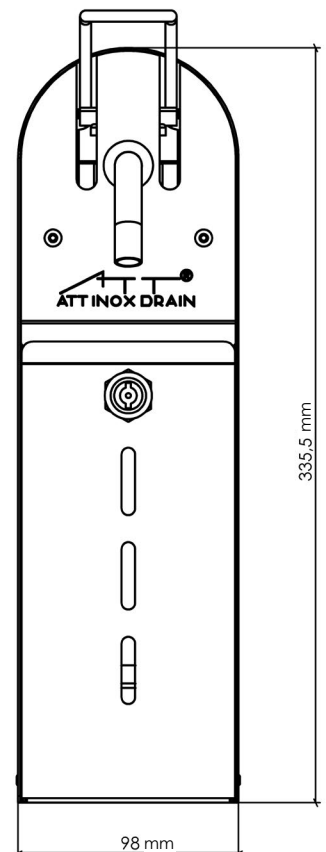
- Stainless steel disinfection pillar
- Material: stainless steel AISI 304 (1.4301)
- Sheet thickness 2 mm
- Plastic pump
- Heavy foot plate thickness 4 mm
- Brushed surface
- 1 liter container

Light version  
of the dispenser



Convenient handle

Mounting holes



## FEATURES

ATT dispenser is a simple and effective solution that ensures maximum safety of hand hygiene in the workplace.

Adding disinfectant is simple and requires no additional tools.

The height of the product can be adjusted to customer needs.

## CUSTOM PRODUCTS

ATT can also make custom products targeted only at your needs.

Contact: [att@att.eu](mailto:att@att.eu) | [www.att.eu](http://www.att.eu)  
+48 12 290 29 30

