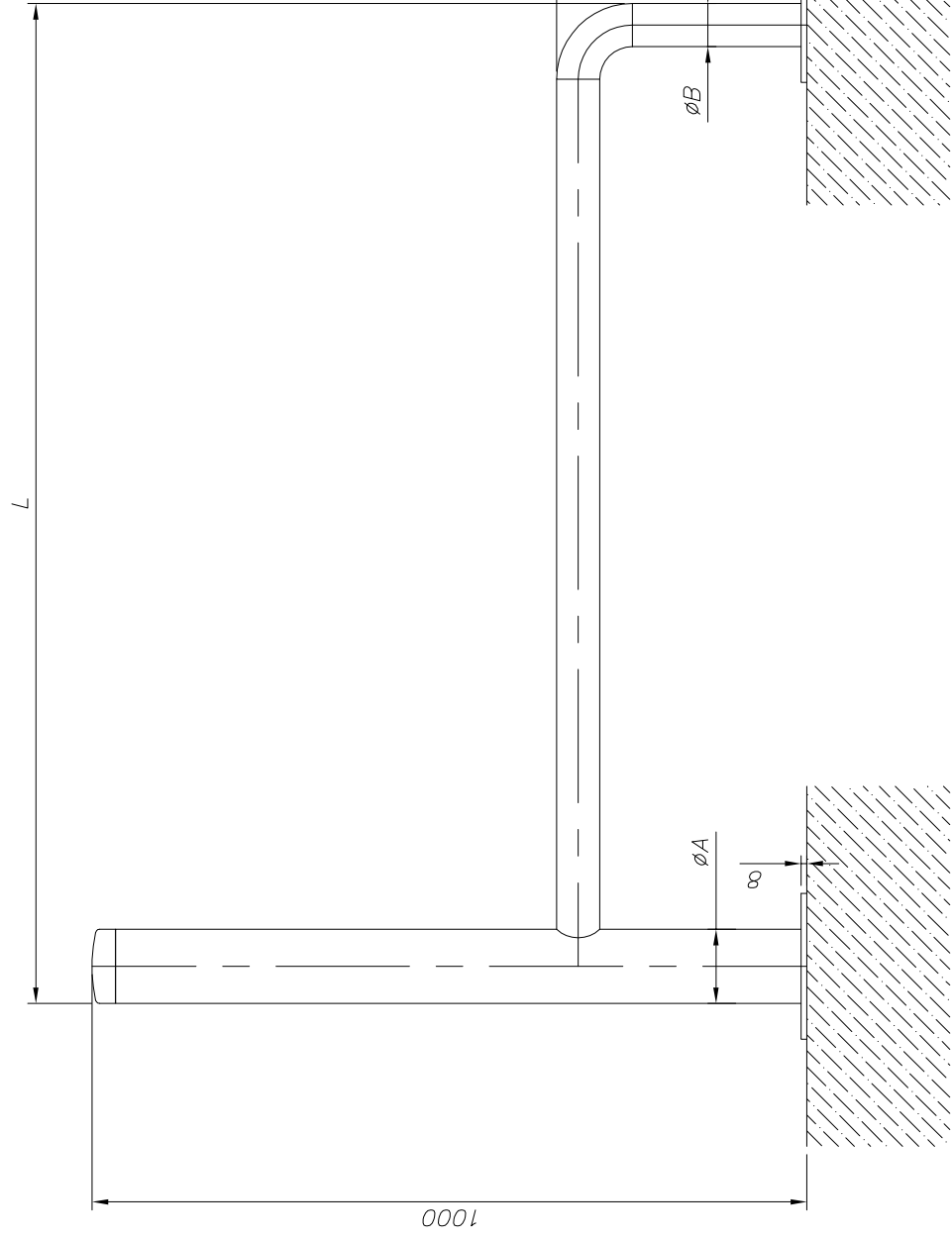
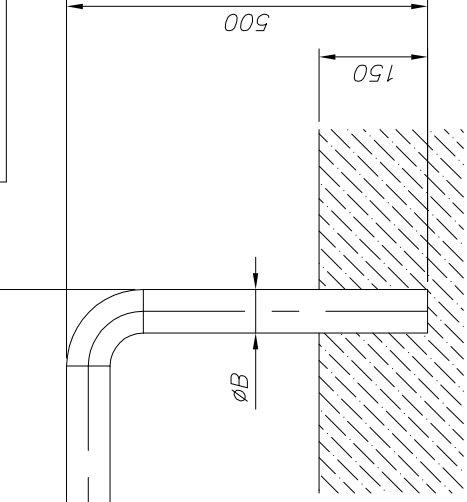
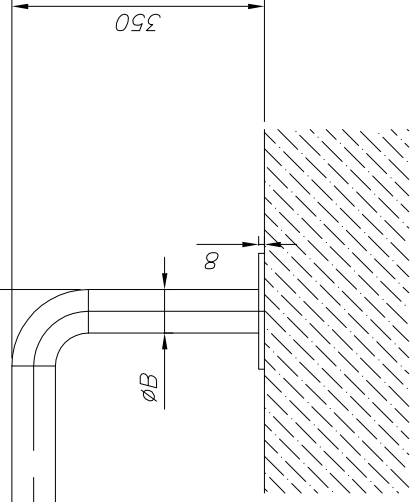


$\phi A / \phi B$
L
1400mm
1600mm
1800mm
2000mm

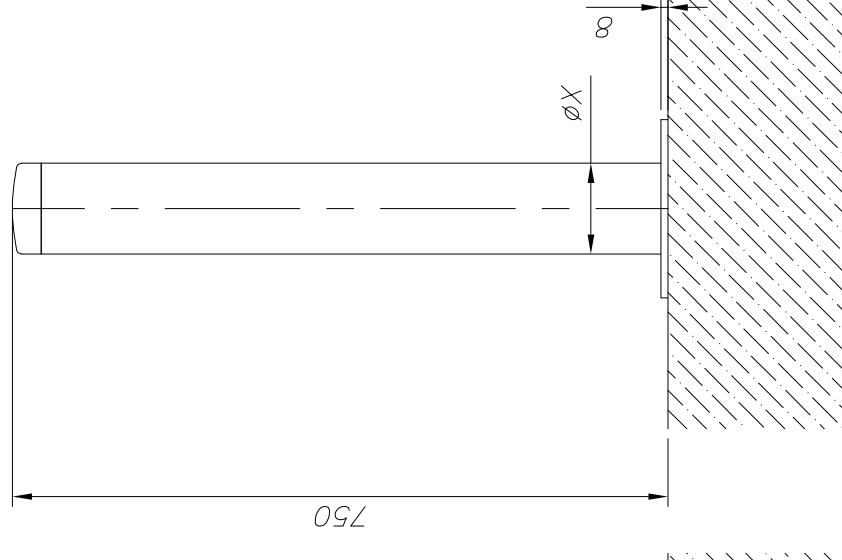
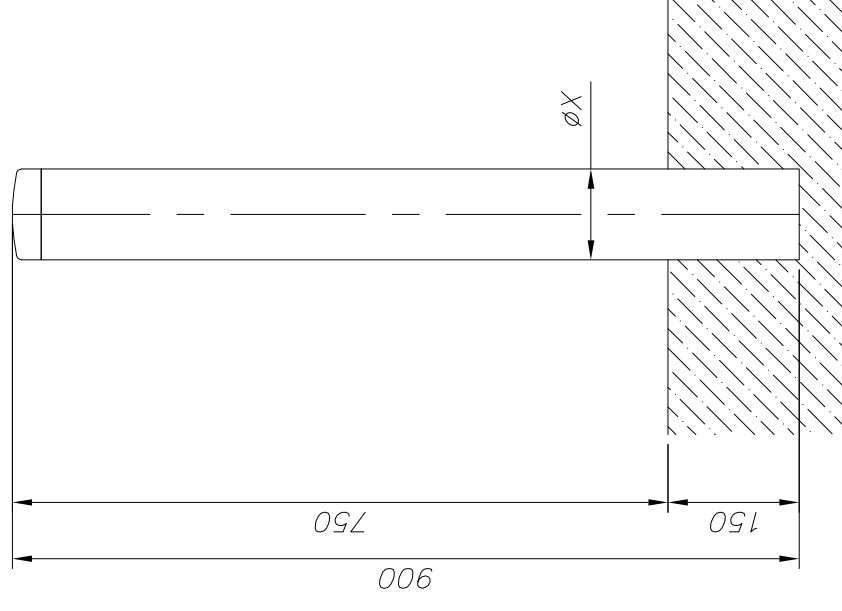


$\phi A / \phi B$
L
1400mm
1600mm
1800mm
2000mm



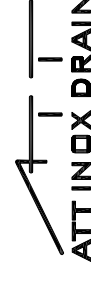
[mm]
104x2,0
154x2,0

ϕX



COMMENTS:

PROJECT:	-
COMPANY:	-
OFFER-NO:	-
MATERIAL:	AISI 304
THICKNESS:	-
GRATE:	-
DRAWING-NO:	2019-09-11 / NW / 01 / 01



Kraków 30-716, Ul. Albatrosów 16c
 Tel: +48-12-290 29 30
 Fax: +48-12-290 04 51
 e-mail: att@att.eu
 www: www.att.eu